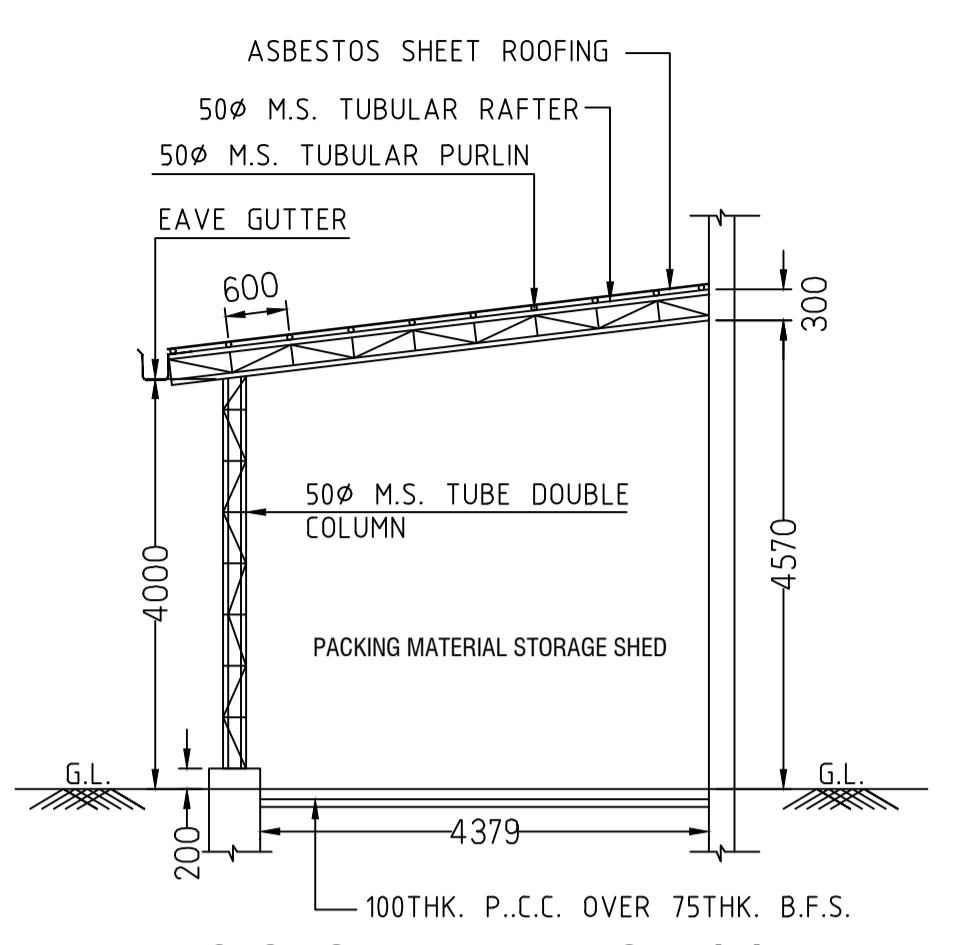
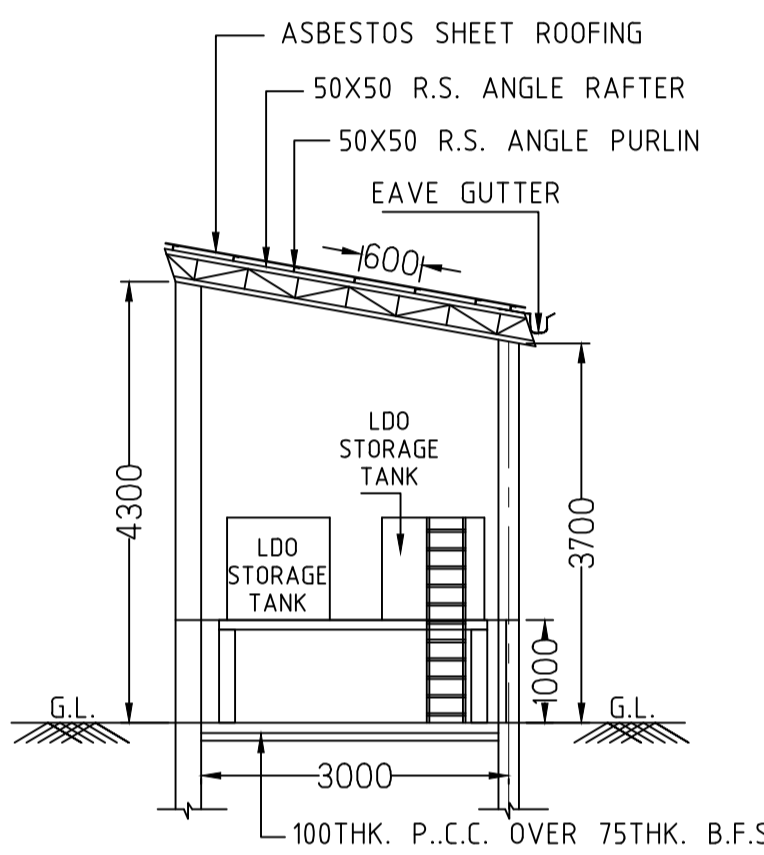


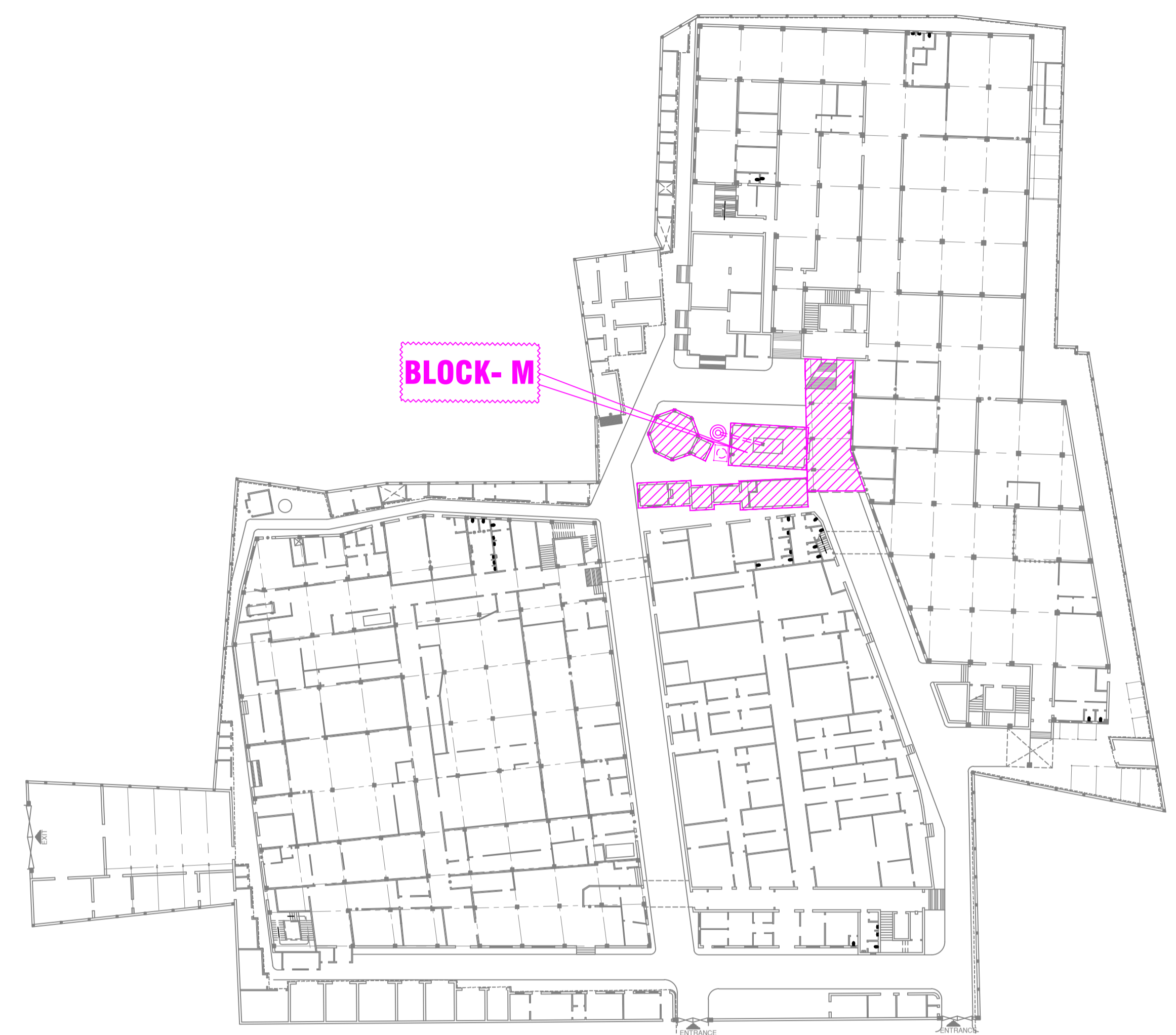
**SECTIONAL ELEVATION-3 3 (SCALE-1:100)**



**SECTIONAL ELEVATION-1 1 (SCALE-1:100)**

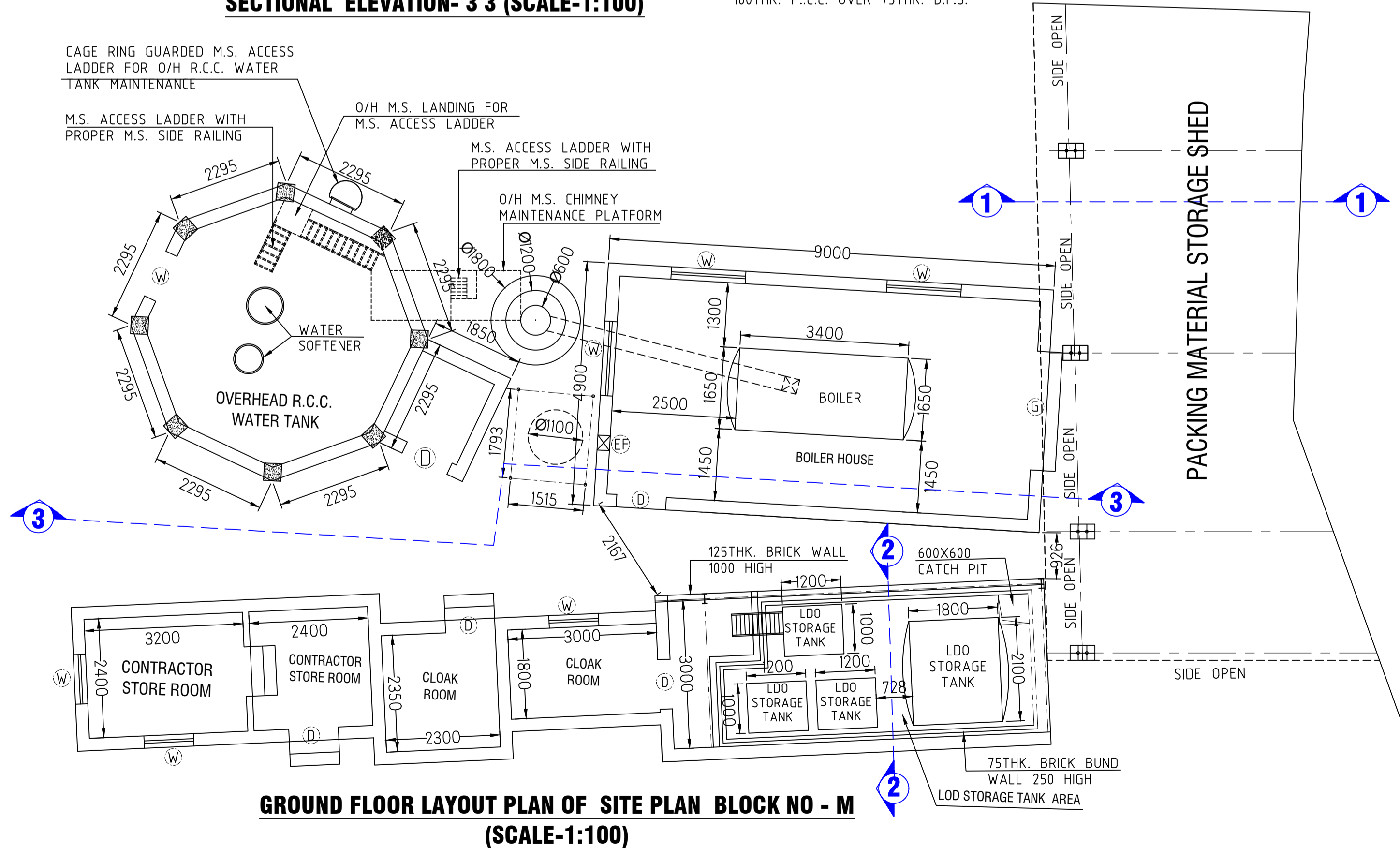


**SECTIONAL ELEVATION-2 2 (SCALE-1:100)**



**LOCATION PLAN (SCALE-1:600)**

Only hatch portion details drawing shown in this sheet



**GROUND FLOOR LAYOUT PLAN OF SITE PLAN BLOCK NO - M (SCALE-1:100)**

SCHEDULE OF DOORS & WINDOWS			
MARK	DESCRIPTION	SIZE (WXH)	SL. HT.
G	STEEL GATE ( DOUBLE LEAF)	2150X2500	
G1	STEEL GATE ( DOUBLE LEAF)	3000 X 3000	
D	ALUMINUM DOOR (Single leaf)	1000 X 2100	
D1	PVC DOOR (Single leaf)	750 X 2100	
D2	ALUMINUM DOOR (Double leaf)	1200 X 2100	
D3	ALUMINUM DOOR (Double leaf)	1500 X 2100	
D4	ALUMINUM DOOR (Double leaf)	1800 X 2100	
W	ALUMINUM WINDOW	1500 X 1200	900
W1	ALUMINUM WINDOW	600 X 450	2650
W2	ALUMINUM WINDOW	2400 X 1200	900
W3	ALUMINUM WINDOW	1000 X 1200	900
EF	EXHAUST FAN	3000	2650

CLIENT :-  
**DEY'S MEDICAL STORES (MFG) LIMITED**

ADDRESS :-  
**62, BONDEL ROAD, KOLKATA-700019**

SUBJECT :-  
 LAYOUT PLAN & SECTIONAL DETAILS OF BLOCK -M

DRAWN BY	PINAKI
CHECKED BY	JOY
APPROVED	
SCALE	1:100
DATE	29.07.2022
REV.	0
SHEET NO.	15 of 15

**Consultant**  
**SHILPA BANDHAB**  
 a friendly professional firm of industrial consultants  
 OFFICE ADDRESS :-  
 16no. collage st. 4th floor room no-50  
 kolKata-700 012 , (9836460777)